

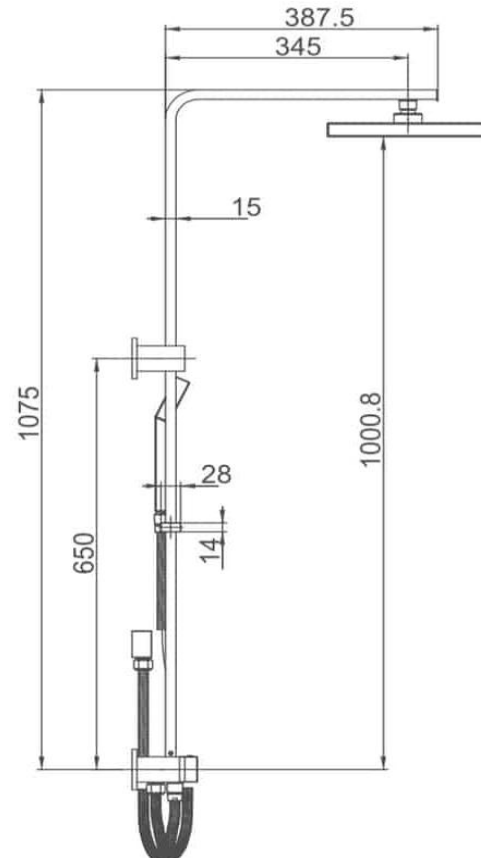
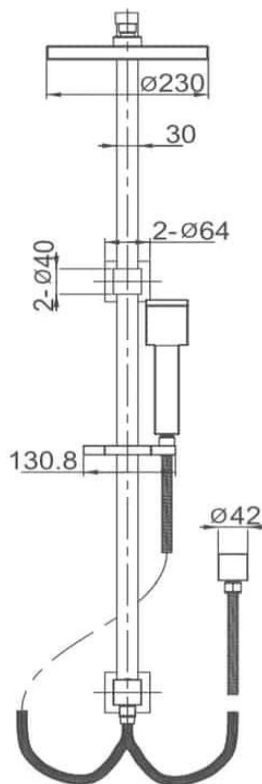
CUBE MULTIFUNCTION RAIL



WELS: 0 Star 7.5L/min
WELS Reg No: S14484
Pressure Rating: Min 150KPa - Max 500KPa
Temperature Rating: Min 1°C - Max 75°C



Chrome
TP 1500



SPECIFICATIONS

CLEANING & MAINTENANCE:

Shower Rails should be cleaned with mild detergent and water
All Products must be cleaned with a soft cloth with soapy water, avoid waxes, solvents, abrasives, acids and other chemical based cleaners
Warranty will be void if damages are caused by unsuitable cleaning products

WARRANTY INFORMATION:

5 years PVD finishes (purchased after 01/01/2026)

1 year non-PVD finishes

1 year parts & labour

Note: Hoses, slides, wall fixings, brackets: **1 year**

ZENMO
Zen-inspired, Modern Living

ADDRESS: 42 Castro Way, Derrimut VIC 3026

PHONE: (03) 8390 6300

OFFICE: ect_sales@outlook.com

SERVICE: ect_service@outlook.com

WEBSITE: www.zenmo.com.au